

Гайки из нержавеющей стали / Винты из нержавеющей стали

Гигиеническое исполнение

ХАРАКТЕРИСТИКИ

Нержавеющая сталь AISI 316L

- матовая отделка (Ra < 0,8 мкм) **MT**
- полированная (Ra < 0,8 мкм) **PL**

Уплотнительное кольцо

- Н-NBR **H**
термостойкость от -25 °C до +150 °C
- EPDM **E**
термостойкость от -40 °C до +120 °C
- синий
- Твёрдость по Шору А 85 ± 5
- соответствуют требованиям FDA



ИНФОРМАЦИЯ

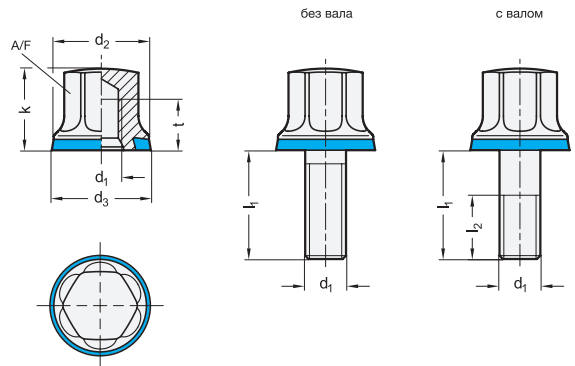
Гайки из нержавеющей стали / винты из нержавеющей стали GN 1580 сертифицированы согласно руководству EHEDG и поэтому идеально подходят для использования в сфере гигиены. Герметичная поверхность фланца позволяет устанавливать компоненты без мертвых зон. Высококачественная обработка, а также большие радиусы угла и закрытые поверхности предотвращают налипание грязи и облегчают очистку.

АКСЕССУАРЫ

- Уплотнительные кольца GN 7600 (см. стр.)

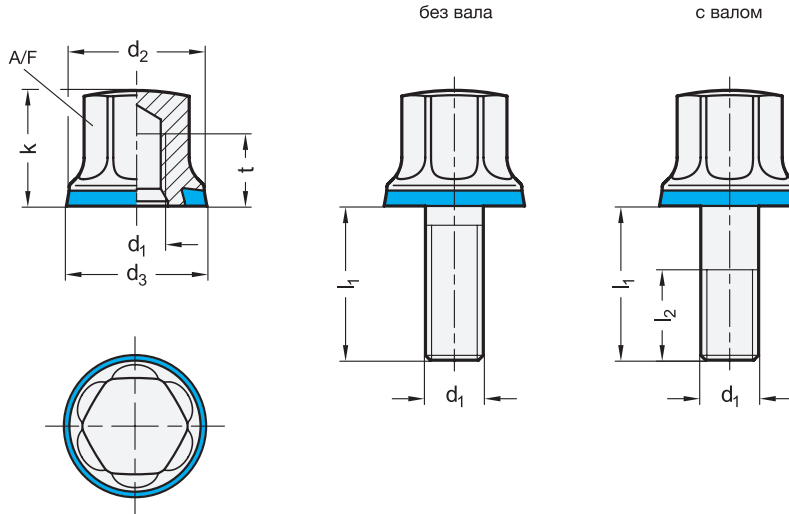
ТЕХНИЧЕСКАЯ ИНФОРМАЦИЯ

- Характеристики эластомера (см. стр. A32)
- Характеристики нержавеющей стали (см. стр. A26)



| GN 1580-Гайки | STAINLESS STEEL | | | | | | |
|------------------|-----------------|----|------|------|--------|-----|-----|
| Описание | d1 | d2 | d3 | k | t мин. | A/F | ⚖ |
| GN 1580-M4-MT-H | M 4 | 11 | 11.8 | 9.5 | 6 | 7 | 3 |
| GN 1580-M4-PL-H | M 4 | 11 | 11.8 | 9.5 | 6 | 7 | 3 |
| GN 1580-M5-MT-H | M 5 | 12 | 12.8 | 10 | 6 | 8 | 8 |
| GN 1580-M5-PL-H | M 5 | 12 | 12.8 | 10 | 6 | 8 | 8 |
| GN 1580-M6-MT-H | M 6 | 14 | 14.8 | 12 | 7.5 | 10 | 10 |
| GN 1580-M6-PL-H | M 6 | 14 | 14.8 | 12 | 7.5 | 10 | 10 |
| GN 1580-M8-MT-H | M 8 | 18 | 18.8 | 14.5 | 9.5 | 13 | 17 |
| GN 1580-M8-PL-H | M 8 | 18 | 18.8 | 14.5 | 9.5 | 13 | 17 |
| GN 1580-M10-MT-H | M 10 | 21 | 21.8 | 18 | 12 | 16 | 19 |
| GN 1580-M10-PL-H | M 10 | 21 | 21.8 | 18 | 12 | 16 | 19 |
| GN 1580-M12-MT-H | M 12 | 25 | 25.8 | 21 | 14.5 | 18 | 45 |
| GN 1580-M12-PL-H | M 12 | 25 | 25.8 | 21 | 14.5 | 18 | 45 |
| GN 1580-M16-MT-H | M 16 | 32 | 32.8 | 26 | 17 | 24 | 84 |
| GN 1580-M16-PL-H | M 16 | 32 | 32.8 | 26 | 17 | 24 | 84 |
| GN 1580-M20-MT-H | M 20 | 40 | 40.8 | 32 | 22 | 30 | 150 |
| GN 1580-M20-PL-H | M 20 | 40 | 40.8 | 32 | 22 | 30 | 150 |

| GN 1580-Гайки | STAINLESS STEEL | | | | | | |
|------------------|-----------------|----|------|------|--------|-----|-----|
| Описание | d1 | d2 | d3 | k | t мин. | A/F | ⚖ |
| GN 1580-M4-MT-E | M 4 | 11 | 11.8 | 9.5 | 6 | 7 | 3 |
| GN 1580-M4-PL-E | M 4 | 11 | 11.8 | 9.5 | 6 | 7 | 3 |
| GN 1580-M5-MT-E | M 5 | 12 | 12.8 | 10 | 6 | 8 | 4 |
| GN 1580-M5-PL-E | M 5 | 12 | 12.8 | 10 | 6 | 8 | 8 |
| GN 1580-M6-MT-E | M 6 | 14 | 14.8 | 12 | 7.5 | 10 | 10 |
| GN 1580-M6-PL-E | M 6 | 14 | 14.8 | 12 | 7.5 | 10 | 10 |
| GN 1580-M8-MT-E | M 8 | 18 | 18.8 | 14.5 | 9.5 | 13 | 17 |
| GN 1580-M8-PL-E | M 8 | 18 | 18.8 | 14.5 | 9.5 | 13 | 17 |
| GN 1580-M10-MT-E | M 10 | 21 | 21.8 | 18 | 12 | 16 | 19 |
| GN 1580-M10-PL-E | M 10 | 21 | 21.8 | 18 | 12 | 16 | 19 |
| GN 1580-M12-MT-E | M 12 | 25 | 25.8 | 21 | 14.5 | 18 | 45 |
| GN 1580-M12-PL-E | M 12 | 25 | 25.8 | 21 | 14.5 | 18 | 45 |
| GN 1580-M16-MT-E | M 16 | 32 | 32.8 | 26 | 17 | 24 | 84 |
| GN 1580-M16-PL-E | M 16 | 32 | 32.8 | 26 | 17 | 24 | 84 |
| GN 1580-M20-MT-E | M 20 | 40 | 40.8 | 32 | 22 | 30 | 150 |
| GN 1580-M20-PL-E | M 20 | 40 | 40.8 | 32 | 22 | 30 | 150 |



GN 1580-Винты установочные

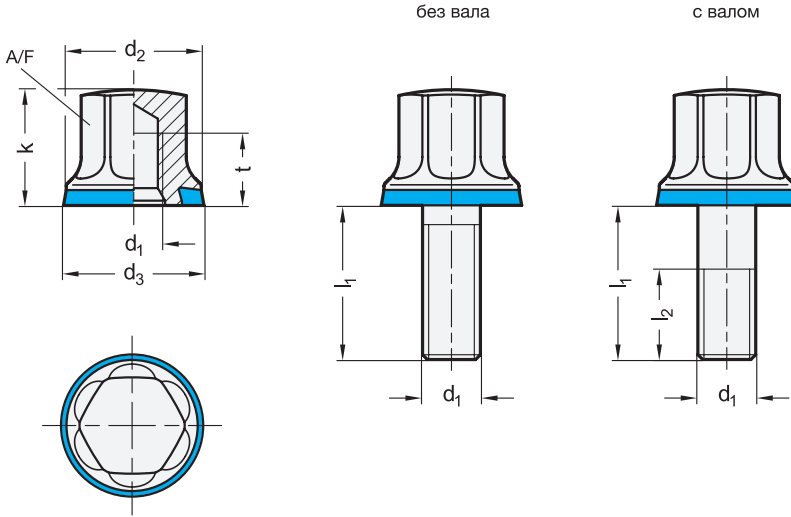
STAINLESS STEEL

| Описание | d1 | l без стержня | l со стержнем | d2 | d3 | k | l2 | A/F | ⚖ |
|--------------------|-----|---------------|---------------|----|------|------|----|-----|----|
| GN 1580-M4-8-MT-H | M 4 | 8 | - | 11 | 11.8 | 9.5 | - | 7 | 4 |
| GN 1580-M4-8-PL-H | M 4 | 8 | - | 11 | 11.8 | 9.5 | - | 7 | 5 |
| GN 1580-M4-10-MT-H | M 4 | 10 | - | 11 | 11.8 | 9.5 | 14 | 7 | 5 |
| GN 1580-M4-10-PL-H | M 4 | 10 | - | 11 | 11.8 | 9.5 | 14 | 7 | 5 |
| GN 1580-M4-12-MT-H | M 4 | 12 | - | 11 | 11.8 | 9.5 | - | 7 | 5 |
| GN 1580-M4-12-PL-H | M 4 | 12 | - | 11 | 11.8 | 9.5 | - | 7 | 4 |
| GN 1580-M4-16-MT-H | M 4 | - | 16 | 11 | 11.8 | - | 14 | 7 | 5 |
| GN 1580-M4-16-PL-H | M 4 | - | 16 | 11 | 11.8 | - | 14 | 7 | 5 |
| GN 1580-M5-10-MT-H | M 5 | 10 | - | 12 | 12.8 | 10 | - | 8 | 13 |
| GN 1580-M5-10-PL-H | M 5 | 10 | - | 12 | 12.8 | 10 | - | 8 | 13 |
| GN 1580-M5-16-MT-H | M 5 | 16 | - | 12 | 12.8 | 10 | - | 8 | 10 |
| GN 1580-M5-16-PL-H | M 5 | 16 | - | 12 | 12.8 | 10 | - | 8 | 10 |
| GN 1580-M5-20-MT-H | M 5 | 20 | - | 12 | 12.8 | 10 | - | 8 | 11 |
| GN 1580-M5-20-PL-H | M 5 | 20 | - | 12 | 12.8 | 10 | - | 8 | 11 |
| GN 1580-M6-12-MT-H | M 6 | 12 | - | 14 | 14.8 | 12 | - | 10 | 14 |
| GN 1580-M6-12-PL-H | M 6 | 12 | - | 14 | 14.8 | 12 | - | 10 | 14 |
| GN 1580-M6-16-MT-H | M 6 | 16 | - | 14 | 14.8 | 12 | - | 10 | 15 |
| GN 1580-M6-16-PL-H | M 6 | 16 | - | 14 | 14.8 | 12 | - | 10 | 15 |
| GN 1580-M6-20-MT-H | M 6 | 20 | - | 14 | 14.8 | 12 | - | 10 | 13 |
| GN 1580-M6-20-PL-H | M 6 | 20 | - | 14 | 14.8 | 12 | - | 10 | 13 |
| GN 1580-M6-25-MT-H | M 6 | 25 | - | 14 | 14.8 | 12 | - | 10 | 13 |
| GN 1580-M6-25-PL-H | M 6 | 25 | - | 14 | 14.8 | 12 | - | 10 | 13 |
| GN 1580-M6-30-MT-H | M 6 | 30 | - | 14 | 14.8 | 12 | - | 10 | 17 |
| GN 1580-M6-30-PL-H | M 6 | 30 | - | 14 | 14.8 | 12 | - | 10 | 17 |
| GN 1580-M8-16-MT-H | M 8 | 16 | - | 18 | 18.8 | 14.5 | - | 13 | 24 |
| GN 1580-M8-16-PL-H | M 8 | 16 | - | 18 | 18.8 | 14.5 | - | 13 | 24 |
| GN 1580-M8-20-MT-H | M 8 | 20 | - | 18 | 18.8 | 14.5 | - | 13 | 28 |
| GN 1580-M8-20-PL-H | M 8 | 20 | - | 18 | 18.8 | 14.5 | - | 13 | 28 |
| GN 1580-M8-25-MT-H | M 8 | 25 | - | 18 | 18.8 | 14.5 | - | 13 | 28 |
| GN 1580-M8-25-PL-H | M 8 | 25 | - | 18 | 18.8 | 14.5 | - | 13 | 28 |
| GN 1580-M8-30-MT-H | M 8 | 30 | - | 18 | 18.8 | 14.5 | - | 13 | 30 |
| GN 1580-M8-30-PL-H | M 8 | 30 | - | 18 | 18.8 | 14.5 | - | 13 | 30 |
| GN 1580-M8-40-MT-H | M 8 | - | 40 | 18 | 18.8 | - | 22 | 13 | 33 |
| GN 1580-M8-40-PL-H | M 8 | - | 40 | 18 | 18.8 | - | 22 | 13 | 33 |

GN 1580-Винты установочные

STAINLESS STEEL

| Описание | d1 | l без стержня | l со стержнем | d2 | d3 | k | l2 | A/F | ⚖ |
|---------------------|------|---------------|---------------|----|------|----|----|-----|-----|
| GN 1580-M10-20-MT-H | M 10 | 20 | - | 21 | 21.8 | 18 | - | 16 | 49 |
| GN 1580-M10-20-PL-H | M 10 | 20 | - | 21 | 21.8 | 18 | - | 16 | 49 |
| GN 1580-M10-25-MT-H | M 10 | 25 | - | 21 | 21.8 | 18 | - | 16 | 51 |
| GN 1580-M10-25-PL-H | M 10 | 25 | - | 21 | 21.8 | 18 | - | 16 | 51 |
| GN 1580-M10-30-MT-H | M 10 | 30 | - | 21 | 21.8 | 18 | - | 16 | 54 |
| GN 1580-M10-30-PL-H | M 10 | 30 | - | 21 | 21.8 | 18 | - | 16 | 54 |
| GN 1580-M10-40-MT-H | M 10 | - | 40 | 21 | 21.8 | - | 26 | 16 | 59 |
| GN 1580-M10-40-PL-H | M 10 | - | 40 | 21 | 21.8 | - | 26 | 16 | 59 |
| GN 1580-M10-50-MT-H | M 10 | - | 50 | 21 | 21.8 | - | 26 | 16 | 64 |
| GN 1580-M10-50-PL-H | M 10 | - | 50 | 21 | 21.8 | - | 26 | 16 | 64 |
| GN 1580-M12-25-PL-H | M 12 | 25 | - | 25 | 25.8 | 21 | - | 18 | 79 |
| GN 1580-M12-25-MT-H | M 12 | 25 | - | 25 | 25.8 | 21 | - | 18 | 79 |
| GN 1580-M12-30-PL-H | M 12 | 30 | - | 25 | 25.8 | 21 | - | 18 | 84 |
| GN 1580-M12-30-MT-H | M 12 | 30 | - | 25 | 25.8 | 21 | - | 18 | 70 |
| GN 1580-M12-40-PL-H | M 12 | - | 40 | 25 | 25.8 | - | 30 | 18 | 93 |
| GN 1580-M12-40-MT-H | M 12 | - | 40 | 25 | 25.8 | - | 30 | 18 | 77 |
| GN 1580-M12-50-PL-H | M 12 | - | 50 | 25 | 25.8 | - | 30 | 18 | 102 |
| GN 1580-M12-50-MT-H | M 12 | - | 50 | 25 | 25.8 | - | 30 | 18 | 102 |
| GN 1580-M12-60-PL-H | M 12 | - | 60 | 25 | 25.8 | - | 30 | 18 | 111 |
| GN 1580-M12-60-MT-H | M 12 | - | 60 | 25 | 25.8 | - | 30 | 18 | 111 |
| GN 1580-M16-30-PL-H | M 16 | 30 | - | 32 | 32.8 | 26 | 38 | 24 | 157 |
| GN 1580-M16-30-MT-H | M 16 | 30 | - | 32 | 32.8 | 26 | 38 | 24 | 157 |
| GN 1580-M16-40-PL-H | M 16 | 40 | - | 32 | 32.8 | 26 | 38 | 24 | 173 |
| GN 1580-M16-40-MT-H | M 16 | 40 | - | 32 | 32.8 | 26 | 38 | 24 | 173 |
| GN 1580-M16-50-PL-H | M 16 | - | 50 | 32 | 32.8 | 26 | 38 | 24 | 189 |
| GN 1580-M16-50-MT-H | M 16 | - | 50 | 32 | 32.8 | 26 | 38 | 24 | 189 |
| GN 1580-M16-60-PL-H | M 16 | - | 60 | 32 | 32.8 | 26 | 38 | 24 | 205 |
| GN 1580-M16-60-MT-H | M 16 | - | 60 | 32 | 32.8 | 26 | 38 | 24 | 187 |
| GN 1580-M16-70-PL-H | M 16 | - | 70 | 32 | 32.8 | 26 | 38 | 24 | 221 |
| GN 1580-M16-70-MT-H | M 16 | - | 70 | 32 | 32.8 | 26 | 38 | 24 | 203 |
| GN 1580-M20-40-MT-H | M 20 | 40 | - | 40 | 40.8 | 32 | 46 | 30 | 296 |
| GN 1580-M20-40-PL-H | M 20 | 40 | - | 40 | 40.8 | 32 | 46 | 30 | 296 |
| GN 1580-M20-60-MT-H | M 20 | - | 60 | 40 | 40.8 | 32 | 46 | 30 | 346 |
| GN 1580-M20-60-PL-H | M 20 | - | 60 | 40 | 40.8 | 32 | 46 | 30 | 346 |



GN 1580-Винты установочные

STAINLESS STEEL

| Описание | d1 | l без стержня | l со стержнем | d2 | d3 | k | l2 | A/F | △ |
|--------------------|-----|---------------|---------------|----|------|------|----|-----|----|
| GN 1580-M4-8-MT-E | M 4 | 8 | - | 11 | 11.8 | 9.5 | - | 7 | 4 |
| GN 1580-M4-8-PL-E | M 4 | 8 | - | 11 | 11.8 | 9.5 | - | 7 | 5 |
| GN 1580-M4-10-MT-E | M 4 | 10 | - | 11 | 11.8 | 9.5 | 14 | 7 | 5 |
| GN 1580-M4-10-PL-E | M 4 | 10 | - | 11 | 11.8 | 9.5 | 14 | 7 | 5 |
| GN 1580-M4-12-MT-E | M 4 | 12 | - | 11 | 11.8 | 9.5 | - | 7 | 5 |
| GN 1580-M4-12-PL-E | M 4 | 12 | - | 11 | 11.8 | 9.5 | - | 7 | 4 |
| GN 1580-M4-16-MT-E | M 4 | - | 16 | 11 | 11.8 | - | 14 | 7 | 13 |
| GN 1580-M4-16-PL-E | M 4 | - | 16 | 11 | 11.8 | - | 14 | 7 | 5 |
| GN 1580-M5-10-MT-E | M 5 | 10 | - | 12 | 12.8 | 10 | - | 8 | 13 |
| GN 1580-M5-10-PL-E | M 5 | 10 | - | 12 | 12.8 | 10 | - | 8 | 13 |
| GN 1580-M5-16-MT-E | M 5 | 16 | - | 12 | 12.8 | 10 | - | 8 | 10 |
| GN 1580-M5-16-PL-E | M 5 | 16 | - | 12 | 12.8 | 10 | - | 8 | 10 |
| GN 1580-M5-20-MT-E | M 5 | 20 | - | 12 | 12.8 | 10 | - | 8 | 11 |
| GN 1580-M5-20-PL-E | M 5 | 20 | - | 12 | 12.8 | 10 | - | 8 | 11 |
| GN 1580-M6-12-MT-E | M 6 | 12 | - | 14 | 14.8 | 12 | - | 10 | 14 |
| GN 1580-M6-12-PL-E | M 6 | 12 | - | 14 | 14.8 | 12 | - | 10 | 14 |
| GN 1580-M6-16-MT-E | M 6 | 16 | - | 14 | 14.8 | 12 | - | 10 | 15 |
| GN 1580-M6-16-PL-E | M 6 | 16 | - | 14 | 14.8 | 12 | - | 10 | 12 |
| GN 1580-M6-20-MT-E | M 6 | 20 | - | 14 | 14.8 | 12 | - | 10 | 13 |
| GN 1580-M6-20-PL-E | M 6 | 20 | - | 14 | 14.8 | 12 | - | 10 | 13 |
| GN 1580-M6-25-MT-E | M 6 | 25 | - | 14 | 14.8 | 12 | - | 10 | 13 |
| GN 1580-M6-25-PL-E | M 6 | 25 | - | 14 | 14.8 | 12 | - | 10 | 13 |
| GN 1580-M6-30-MT-E | M 6 | 30 | - | 14 | 14.8 | 12 | - | 10 | 17 |
| GN 1580-M6-30-PL-E | M 6 | 30 | - | 14 | 14.8 | 12 | - | 10 | 17 |
| GN 1580-M8-16-MT-E | M 8 | 16 | - | 18 | 18.8 | 14.5 | - | 13 | 24 |
| GN 1580-M8-16-PL-E | M 8 | 16 | - | 18 | 18.8 | 14.5 | - | 13 | 24 |
| GN 1580-M8-20-MT-E | M 8 | 20 | - | 18 | 18.8 | 14.5 | - | 13 | 28 |
| GN 1580-M8-20-PL-E | M 8 | 20 | - | 18 | 18.8 | 14.5 | - | 13 | 28 |
| GN 1580-M8-25-MT-E | M 8 | 25 | - | 18 | 18.8 | 14.5 | - | 13 | 28 |
| GN 1580-M8-25-PL-E | M 8 | 25 | - | 18 | 18.8 | 14.5 | - | 13 | 28 |
| GN 1580-M8-30-MT-E | M 8 | 30 | - | 18 | 18.8 | 14.5 | - | 13 | 30 |
| GN 1580-M8-30-PL-E | M 8 | 30 | - | 18 | 18.8 | 14.5 | - | 13 | 30 |
| GN 1580-M8-40-MT-E | M 8 | - | 40 | 18 | 18.8 | - | 22 | 13 | 33 |
| GN 1580-M8-40-PL-E | M 8 | - | 40 | 18 | 18.8 | - | 22 | 13 | 33 |

GN 1580-Винты установочные

STAINLESS STEEL

| Описание | d1 | l без стержня | l со стержнем | d2 | d3 | k | l2 | A/F | △ |
|---------------------|------|---------------|---------------|----|------|----|----|-----|-----|
| GN 1580-M10-20-MT-E | M 10 | 20 | - | 21 | 21.8 | 18 | - | 16 | 49 |
| GN 1580-M10-20-PL-E | M 10 | 20 | - | 21 | 21.8 | 18 | - | 16 | 49 |
| GN 1580-M10-25-MT-E | M 10 | 25 | - | 21 | 21.8 | 18 | - | 16 | 51 |
| GN 1580-M10-25-PL-E | M 10 | 25 | - | 21 | 21.8 | 18 | - | 16 | 51 |
| GN 1580-M10-30-MT-E | M 10 | 30 | - | 21 | 21.8 | 18 | - | 16 | 54 |
| GN 1580-M10-30-PL-E | M 10 | 30 | - | 21 | 21.8 | 18 | - | 16 | 54 |
| GN 1580-M10-40-MT-E | M 10 | - | 40 | 21 | 21.8 | - | 26 | 16 | 59 |
| GN 1580-M10-40-PL-E | M 10 | - | 40 | 21 | 21.8 | - | 26 | 16 | 59 |
| GN 1580-M10-50-MT-E | M 10 | - | 50 | 21 | 21.8 | - | 26 | 16 | 64 |
| GN 1580-M10-50-PL-E | M 10 | - | 50 | 21 | 21.8 | - | 26 | 16 | 64 |
| GN 1580-M12-25-PL-E | M 12 | 25 | - | 25 | 25.8 | 21 | - | 18 | 79 |
| GN 1580-M12-25-MT-E | M 12 | 25 | - | 25 | 25.8 | 21 | - | 18 | 79 |
| GN 1580-M12-30-PL-E | M 12 | 30 | - | 25 | 25.8 | 21 | - | 18 | 84 |
| GN 1580-M12-30-MT-E | M 12 | 30 | - | 25 | 25.8 | 21 | - | 18 | 70 |
| GN 1580-M12-40-PL-E | M 12 | - | 40 | 25 | 25.8 | - | 30 | 18 | 93 |
| GN 1580-M12-40-MT-E | M 12 | - | 40 | 25 | 25.8 | - | 30 | 18 | 77 |
| GN 1580-M12-50-PL-E | M 12 | - | 50 | 25 | 25.8 | - | 30 | 18 | 102 |
| GN 1580-M12-50-MT-E | M 12 | - | 50 | 25 | 25.8 | - | 30 | 18 | 102 |
| GN 1580-M12-60-PL-E | M 12 | - | 60 | 25 | 25.8 | - | 30 | 18 | 111 |
| GN 1580-M12-60-MT-E | M 12 | - | 60 | 25 | 25.8 | - | 30 | 18 | 111 |
| GN 1580-M16-30-PL-E | M 16 | 30 | - | 32 | 32.8 | 26 | 38 | 24 | 157 |
| GN 1580-M16-30-MT-E | M 16 | 30 | - | 32 | 32.8 | 26 | 38 | 24 | 157 |
| GN 1580-M16-40-PL-E | M 16 | 40 | - | 32 | 32.8 | 26 | 38 | 24 | 173 |
| GN 1580-M16-40-MT-E | M 16 | 40 | - | 32 | 32.8 | 26 | 38 | 24 | 173 |
| GN 1580-M16-50-PL-E | M 16 | - | 50 | 32 | 32.8 | 26 | 38 | 24 | 189 |
| GN 1580-M16-50-MT-E | M 16 | - | 50 | 32 | 32.8 | 26 | 38 | 24 | 189 |
| GN 1580-M16-60-PL-E | M 16 | - | 60 | 32 | 32.8 | 26 | 38 | 24 | 205 |
| GN 1580-M16-60-MT-E | M 16 | - | 60 | 32 | 32.8 | 26 | 38 | 24 | 187 |
| GN 1580-M16-70-PL-E | M 16 | - | 70 | 32 | 32.8 | 26 | 38 | 24 | 221 |
| GN 1580-M16-70-MT-E | M 16 | - | 70 | 32 | 32.8 | 26 | 38 | 24 | 221 |
| GN 1580-M20-40-MT-E | M 20 | 40 | - | 40 | 40.8 | 32 | 46 | 30 | 296 |
| GN 1580-M20-40-PL-E | M 20 | 40 | - | 40 | 40.8 | 32 | 46 | 30 | 296 |
| GN 1580-M20-60-MT-E | M 20 | - | 60 | 40 | 40.8 | 32 | 46 | 30 | 346 |
| GN 1580-M20-60-PL-E | M 20 | - | 60 | 40 | 40.8 | 32 | 46 | 30 | 346 |